



IMPORTANT SAFETY INSTRUCTIONS

1. Read carefully before installing fixture. Retain for future reference.

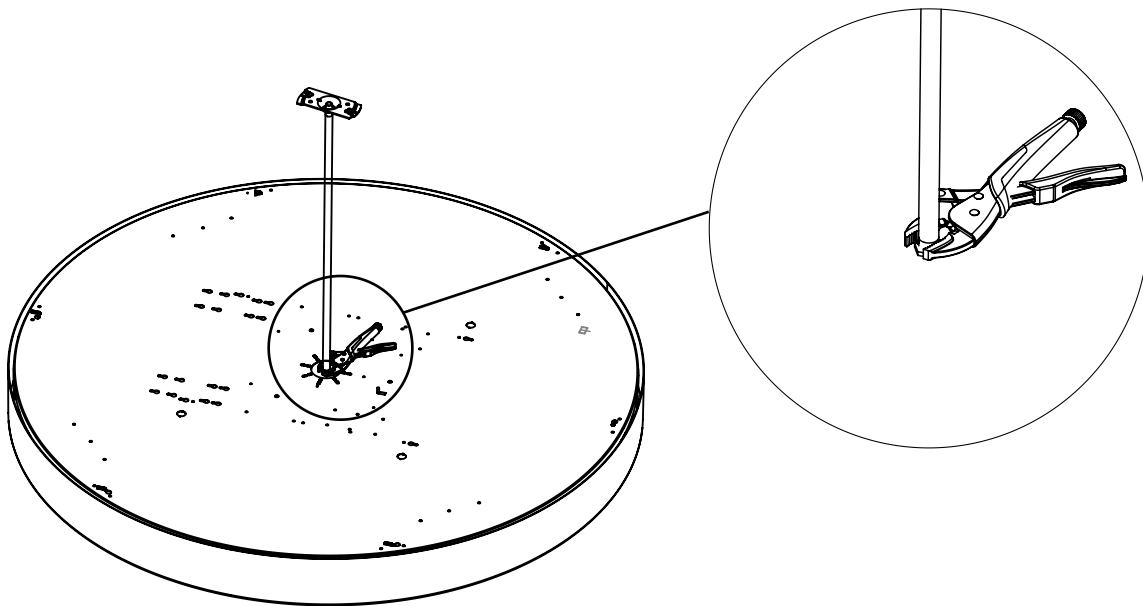
⚠ WARNING To prevent electrical shock, turn off electricity at fuse box before proceeding.

2. Failure to follow instructions may result in serious injury or death.

3. Upon receipt the fixture, thoroughly inspect for any freight damage which should be brought to the attention of the delivery carrier. Compare the catalog description listed on the package slip with the fixture label on the housing to assure you have received material.

4. This fixture must be wired in accordance with the international electrical code and applicable local codes and ordinances. Proper grounding is required to insure personal safety. Carefully observe the correct grounding procedure under installation section.

**Alcon Lighting, Inc. assumes no responsibility for claims arising out of improper or careless handling or installation of this product.*



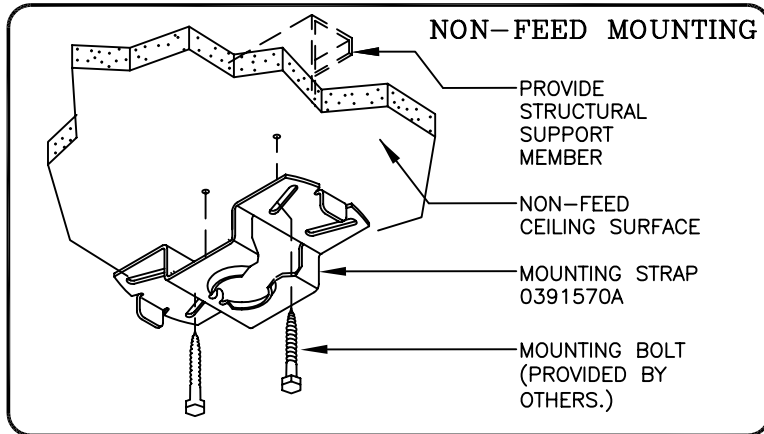
1. Attach the stem to cover. Do not over tighten stem, this may cause pinched wires.

2. Using pliers, securely tighten lock nut. Stem must be securely tightened and unable to spin loose.

12201-P STEM INSTALLATION INSTRUCTIONS



SUPPORTS MAXIMUM WEIGHT OF 50 LBS.



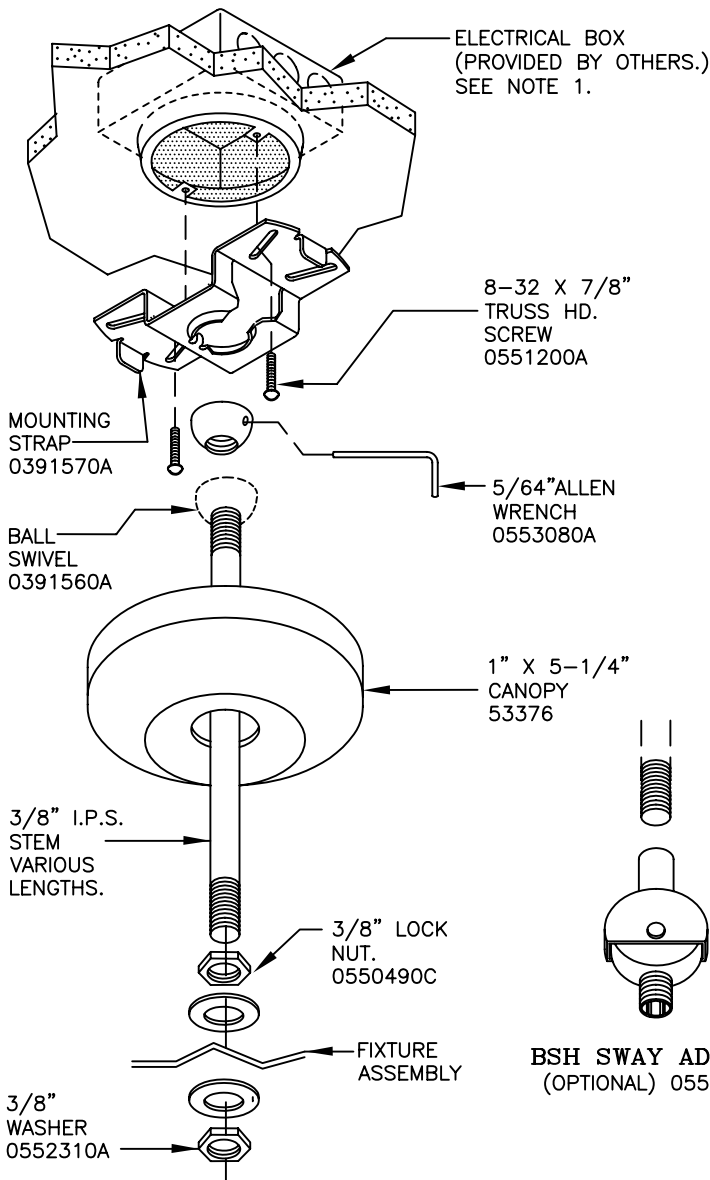
NOTE 1.
MOUNTING STRAP #0391570A, WILL ACCOMMODATE A 3", & 4" OCTAGONAL ELECTRICAL BOX, OR A 4" SQUARE BOX WITH PLASTER RING.

STEP 1 USE (2) #8-32 X 7/8" SCREWS TO ATTACH MOUNTING STRAP TO ELECTRICAL BOX.

STEP 2 SCREW BALL SWIVEL TO ONE END OF THREADED STEM. SECURE IN PLACE WITH SET SCREW. INSERT OTHER END OF STEM THROUGH HOLE IN CANOPY AND FASTEN TO FIXTURE WITH 3/8" I.P.S. LOCK NUTS AND WASHERS PROVIDED.

STEP 3 RUN WIRES THROUGH STEM AND RAISE FIXTURE ASSEMBLY TO CEILING. INSERT BALL SWIVEL INTO MOUNTING STRAP.

STEP 4 MAKE ALL NECESSARY WIRING CONNECTIONS PER NATIONAL AND LOCAL BUILDING CODE REQUIREMENTS. HAND PRESS CANOPY ONTO MOUNTING STRAP.



| PARTS LIST | | |
|---|--------------------------------------|---|
| 0551200A | #8-32 X 7/8" TRUSS HD. MACHINE SCREW | 2 |
| 0391570A | #14 GAUGE MOUNTING STRAP | 1 |
| 0391560A | 3/8" I.S.P. BALL SWIVEL | 1 |
| 0553080A | 5/64" ALLEN WRENCH | 1 |
| 53376 | 1" X 5-1/4" DIAMETER CANOPY | 1 |
| 0552310A | 3/8" X 7/8" PLAIN WASHER | 2 |
| 0550490C | 3/8" LOCK NUT | 2 |
| 0531680A | BSH SWAY ADAPTER (OPTIONAL) | 1 |
| 3/8" I.P.S. THREADED STEM (VARIOUS LENGTHS) | | |
| 0531440A | 6" LONG THREADED ENDS | |
| 0531460A | 12" LONG THREADED ENDS | |
| 0531480A | 18" LONG THREADED ENDS | |
| 0531490A | 24" LONG THREADED ENDS | |
| 0531500A | 30" LONG THREADED ENDS | |
| 0531510A | 36" LONG THREADED ENDS | |
| 0531540A | 48" LONG THREADED ENDS | |
| 0531580A | 60" LONG THREADED ENDS | |
| 0531590A | 72" LONG THREADED ENDS | |
| 0531610A | 96" LONG THREADED ENDS | |